



ACKURETTA

Printing Your Perfect Smile

# CURIE Plus



Up to  
**8 Full Arches**  
Capacity



### Validated with Top Resins

- Class I & Class II validated industry-leading resins



### No Flipping Prints Required\*

- 360° UV light distribution



### A New Standard in Simplicity

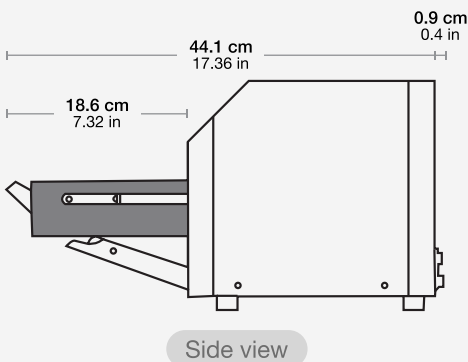
- One-touch open/close lid and sliding glass platform
- Seamless integration with your SOL



### Compatible with Nitrogen Sources

- Built for nitrogen tanks and generators
- Enhanced mechanical properties up to 25%

## CURIE Plus Technical Specifications



### Dimensions

- 36.6 (L) x 26 (W) x 23.4 (H) cm
- 14.4 (L) x 10.2 (W) x 9.2 (H) in

### Weight

- 12.2 kg
- 26.9 lbs

### Power Input

- 100-240VAC, 50-60Hz



### UV Wavelength

- 365, 385, and 405 nm



### Chamber Dimensions

- 20 (L) x 15 (W) x 6 (H) cm
- 7.9 (L) x 5.9 (W) x 2.4 (H) in



### LED Lights

- 65

1102 Embassy Chambers, 3rd road, Khar West, Mumbai 400052

sales@nkpatelandsons.com

+91 99300 06127

@nkpatelandsons

/nkpatelandsons

Authorised Importer and Distributor



Importers & Dealers in Quality Dental Goods